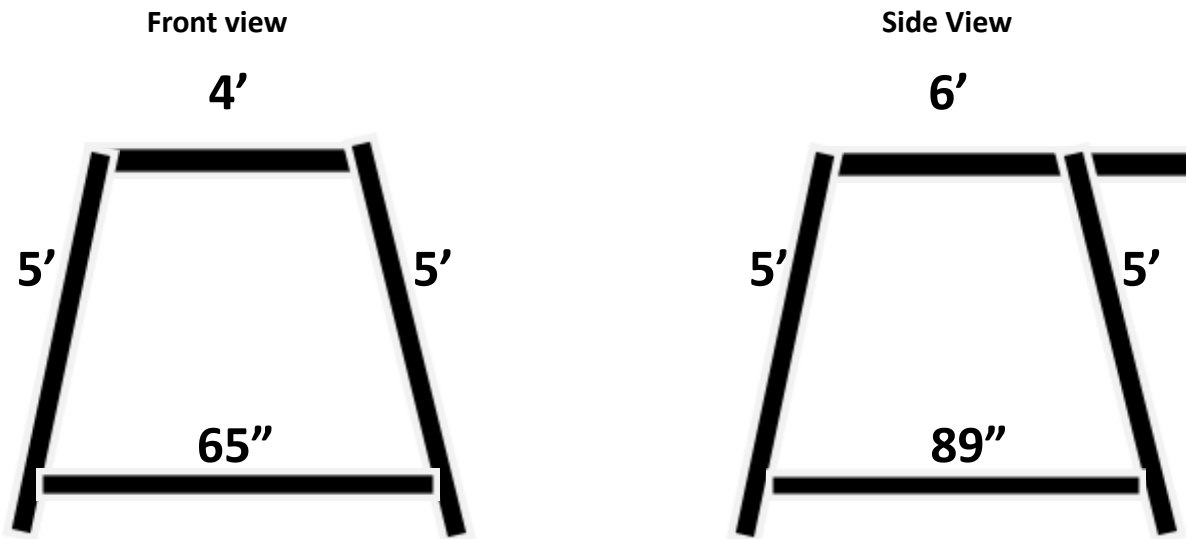


4'x 4'x5' and 4'x6'x5' Tower with Porch and Stairs



- 1x 4'x4' or 4'x6' Base with Porch
- 4x 4"x 1 sq. tubing 3/8 tapped hole-handrail/cam lock
- 2x 1" x 94 1/2" Staircase handrail
- 2x 1" x 89 1/2" bent porch handrail-U shaped
- 4x 2 1/2" x 5' Angle Legs with feet
- 2x 65" 1 1/2" angle bottom band bracing
- 2x 89" 1 1/2" angle bottom band bracing
- 1x 5' Staircase

- 30x- 3/8" Nuts
- 26x- 3/8" x 1" Bolts
- 4x -3/8" x 2" Carriage Bolts (Blind to Base Bolts)
- 4x- 3/8" x 1 1/2" Bolts
- 4x 1 1/2" End Caps for Base
- 8x 1" Plastic Caps for Handrails

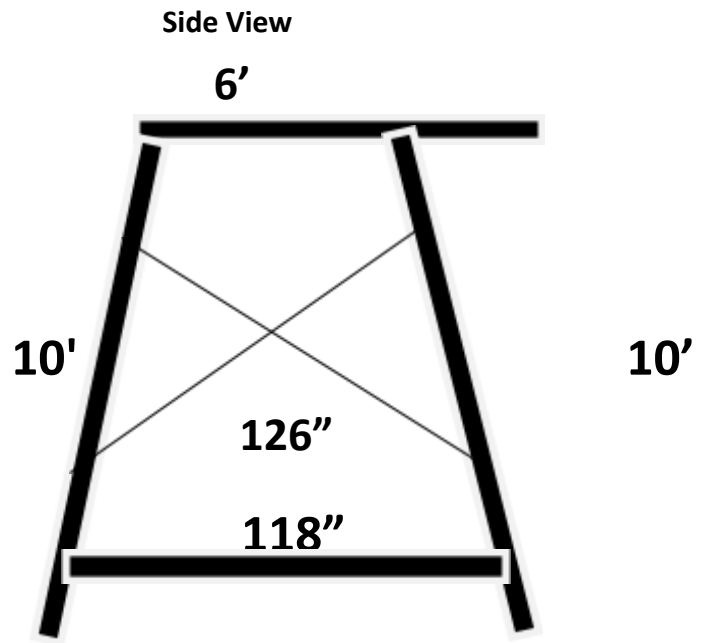
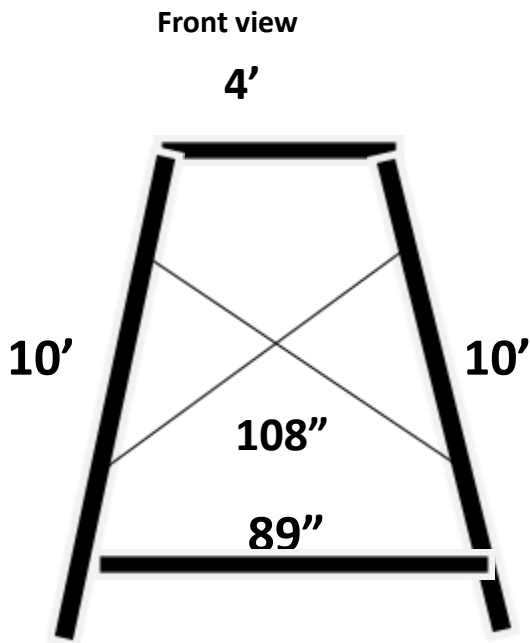
- Step 1: Attach legs to outside stubs on the base with 3/8 x 1" bolts and 3/8" nuts (hand tighten only)
- Step 2: Attach bottom band bracing to the outside of the legs with 3/8 x 1" bolts and 3/8" nuts (hand tighten only)
- Step 3: Attach Staircase to tabs on the base with 3/8 x 1" bolts and 3/8" nuts (hand tighten only)
- Step 4: Insert 4" sq. tubing/cam lock into side of the staircase purlin. One at the top and one at the bottom
- Step 5: Insert 3/8 x 1 1/2" bolts through hole in the staircase handrail and thread into camlock (hand tighten only)
- Step 6: Turn the camlock vertical where it locks into the purlin on the staircase
- Step 7: Repeat steps 4,5 and 6 to the other side of the staircase
- Step 8: Insert the U-shaped porch rail into the 1.25" sq. tubing located on top of the base
- Step 9: Use a 9/16 socket and wrench to tighten the upper leg bolts and nuts, band bracing bolts and nuts, staircase handrails to the cam locks and porch rail bolts.
- Step 10: Tie down tower base with the loop under the base and anchor the holes in the feet.
- Step 11: Set Blind on top of tower and drill holes for mounting
- Step 12: Bolt blind to tower with 3/8 x 2" carriage bolts and 3/8" nuts. Tighten with 9/16 socket and wrench.
- Step 13: Insert 1 1/2" plastic caps at each end of base sq. tubing and 1" plastic caps in each end of handrails and porch rails

Suggested tie down materials: 1/4" cable, turnbuckle, earth anchor for base and 3' nails or stakes for the feet

Check Blind and Tower before each use to ensure it is properly secured and anchored

Failure to follow all installation guidelines may result in injury

4'x4'x10' and 4'x6'x10' Tower with Porch and Stairs



- 1x 4'x4' or 4'x6' Base with Porch
- 4x 4" x 1 sq. tubing 3/8 tapped hole-handrail/cam lock
- 2x 1" x 94 1/2" Staircase handrail
- 2x 1" x 89 1/2" bent porch handrail-U shaped
- 4x 2 1/2" x 10' Angle Legs with feet
- 2x 118" 1 1/2" angle bottom band bracing
- 2x 89" 1 1/2" angle bottom band bracing
- 4x 108" X bracing
- 4x 126" X bracing
- 1x 10' Staircase

- 46x 3/8" Nuts
- 42x 3/8" x 1" Bolts
- 4x 3/8" x 2" Carriage Bolts (Blind to Base Bolts)
- 4x 3/8" x 1 1/2" Bolts
- 4x 1 1/2" End Caps for Base
- 8x 1" Plastic Caps for Handrails

- Step 1: Attach legs to outside stubs on the base with 3/8 x 1" bolts and 3/8" nuts (hand tighten only)
- Step 2: Attach bottom band bracing to the outside of the legs with 3/8 x 1" bolts and 3/8" nuts (hand tighten only)
- Step 3: Attach Staircase to tabs on the base with 3/8 x 1" bolts and 3/8" nuts (hand tighten only)
- Step 4: Attach 108" X Bracing on 4' side (one piece on the inside of legs & one piece on the outside of legs-hand tighten only)
- Step 5: Attach 126" X Bracing on 6' side (one piece on the inside of legs & one piece on the outside of the legs-hand tighten only)
- Step 6: Insert 4" sq. tubing/cam lock into side of the staircase purlin. One at the top and one at the bottom
- Step 7: Insert 3/8 x 1 1/2" bolts through hole in the staircase handrail and thread into camlock (hand tighten only)
- Step 8: Turn the camlock vertical where it locks into the purlin on the staircase
- Step 9: Repeat steps 4,5 and 6 to the other side of the staircase
- Step 10: Insert the U-shaped porch rail into the 1.25" sq. tubing located on top of the base
- Step 11: Use a 9/16 socket and wrench to tighten the upper leg bolts and nuts, band bracing bolts and nuts, X bracing bolts and nuts, staircase handrails to the cam locks and porch rail bolts.
- Step 12: Tie down tower base with the loop under the base and anchor the holes in the feet.
- Step 13: Set Blind on top of tower and drill holes for mounting
- Step 14: Bolt blind to tower with 3/8 x 2" carriage bolts and 3/8" nuts. Tighten with 9/16 socket and wrench.
- Step 15: Insert 1 1/2" plastic caps at each end of base sq. tubing and 1" plastic caps in each end of handrails and porch rails

Suggested tie down materials: 1/4" cable, turnbuckle, earth anchor for base and 3' nails or stakes for the feet

Check Blind and Tower before each use to ensure it is properly secured and anchored

Failure to follow all installation guidelines may result in injury